

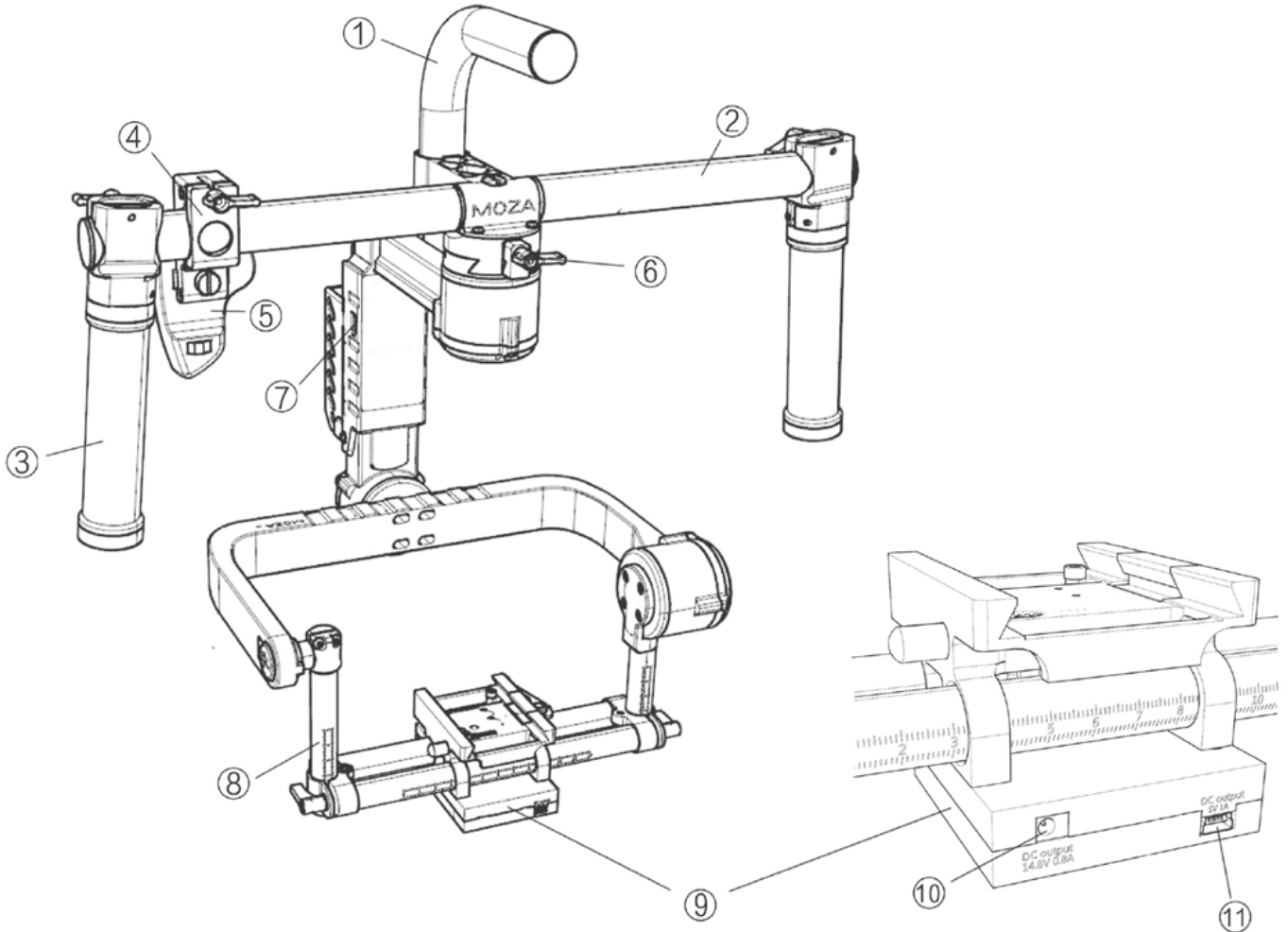


MOZA *Lite2*
QUICK START GUIDE

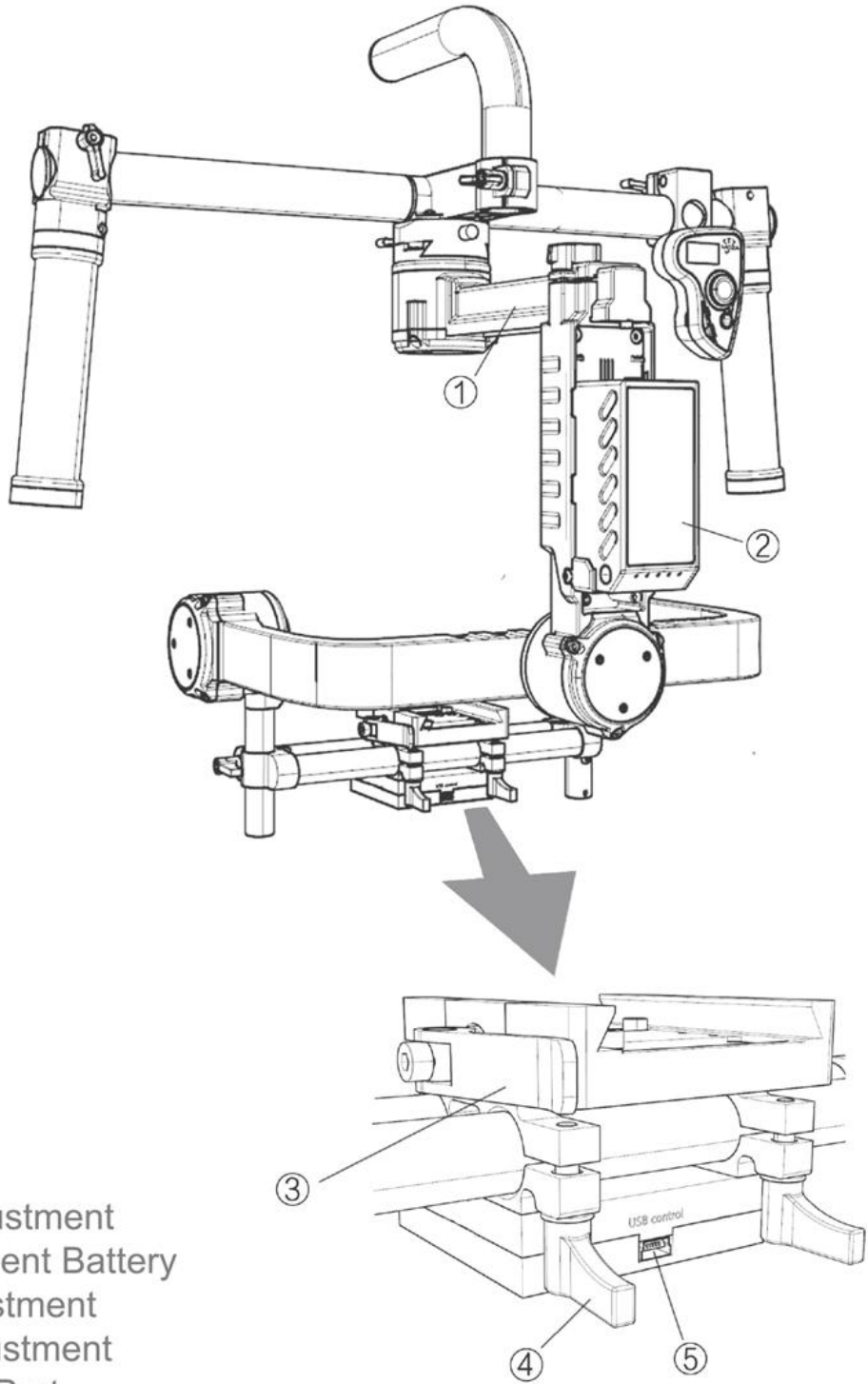
V1.0

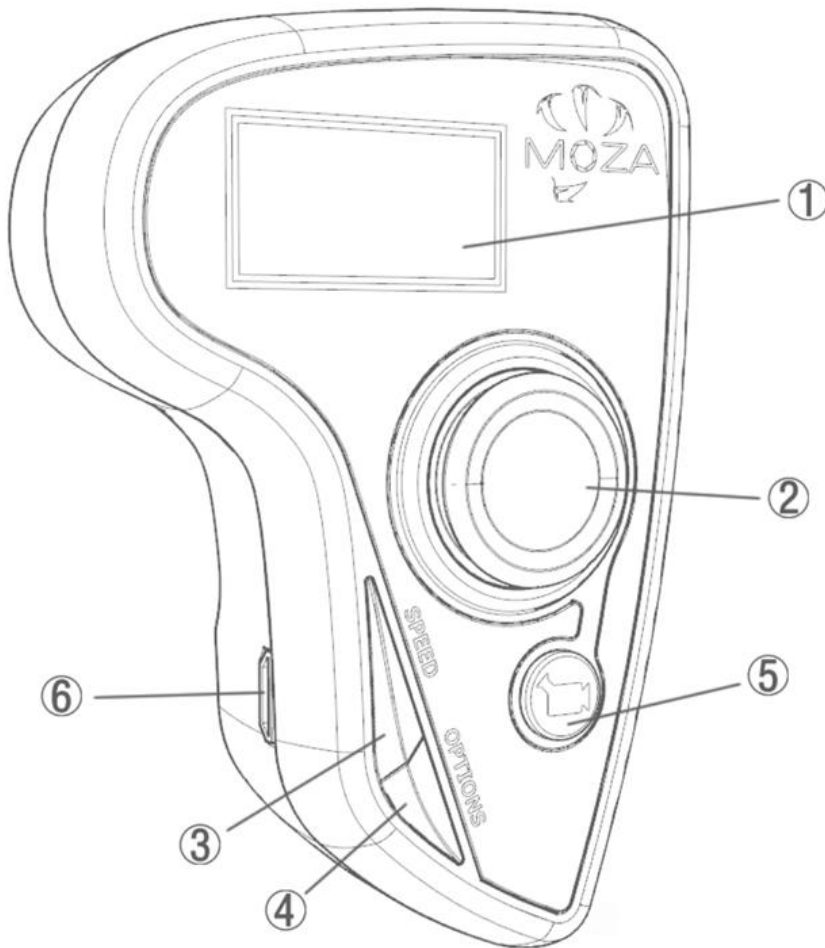
GUSSEN

MOZA Lite2



- 1 Top Handle
- 2 Handle Bar
- 3 Side Handle
- 4 Bracket
- 5 Thumb Controller
- 6 Pan Axis Quick Release Mount
- 7 USB/S-Bus Port
- 8 Vertical Tilt Adjustment
- 9 Distribution Unit
- 10 DC Output 14.8V
- 11 DC Output 5V



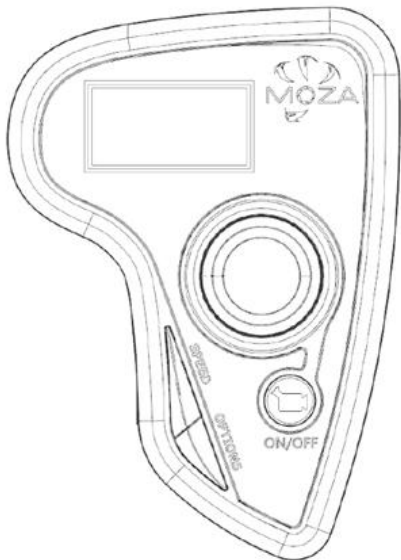
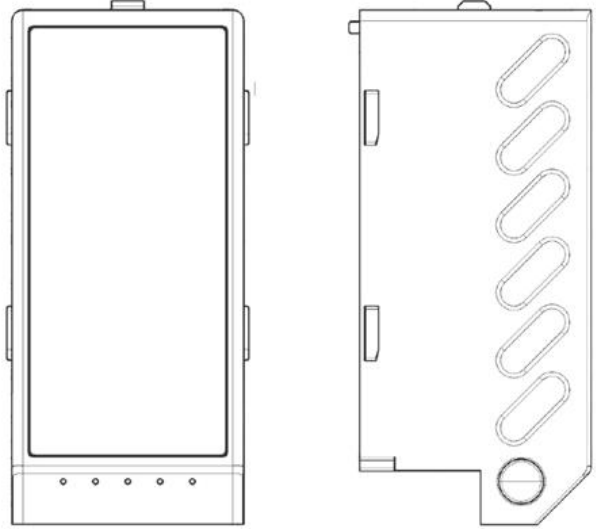
Thumb Controller

- 1 OLED Screen
- 2 Joystick
- 3 Speed Button
- 4 Options Button
- 5 Power ON/OFF & Record Button
- 6 Micro USB Port (Charge & Upgrade)

Quick Start Guide



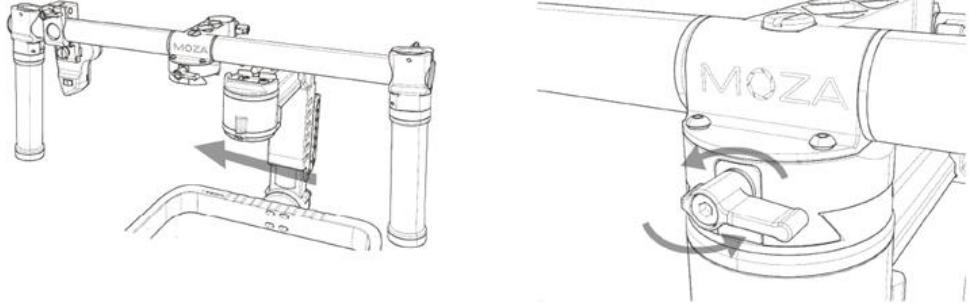
- 1 Please charge the MOZA intelligent battery. To check the current battery level, press the power button once.



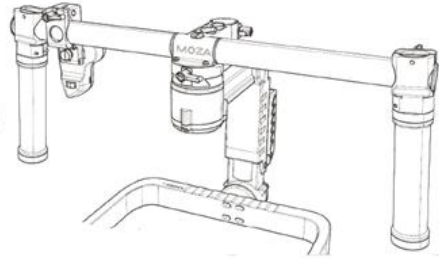
- 2 Please charge the Thumb Controller via the micro USB charging port. To check the Thumb Controller battery level, press and hold the power button for 3 seconds to turn it on. The battery level indicator on the up right corner of OLED screen displays the current battery status.

B

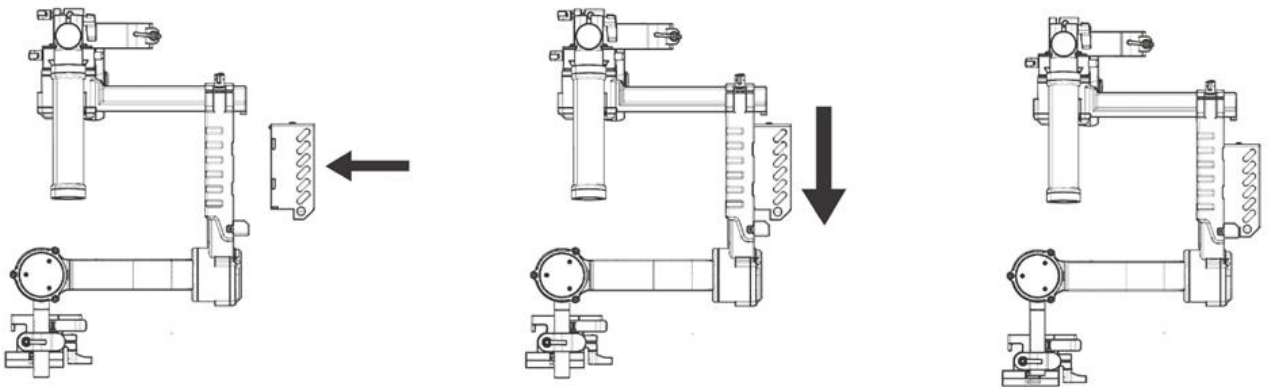
ASSEMBLING THE MOZA LITE

A

- 1 Attach the gimbal to the handle bar. Slide the handle bar horizontally into the gimbal and tighten the lock-knob.

B

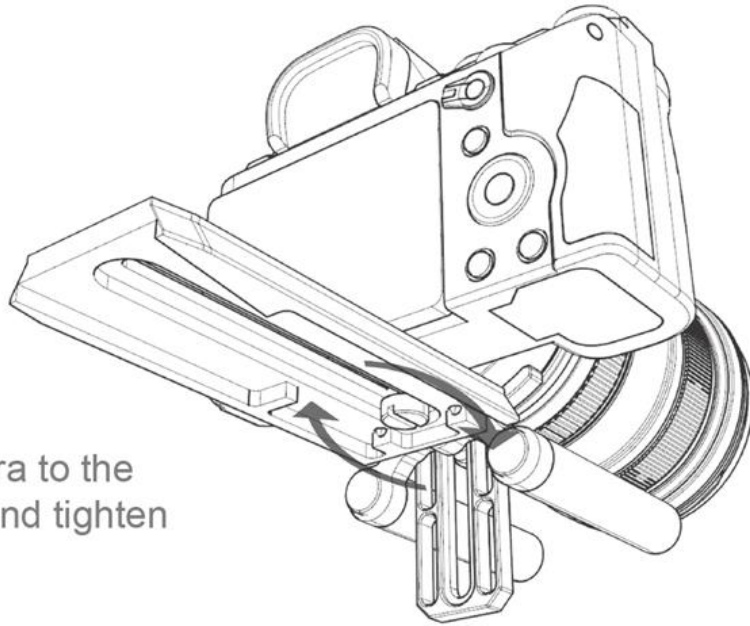
- 2 To install the MOZA intelligent battery, slide it directly into the gimbal and then slide down until the lock-pin is secured.



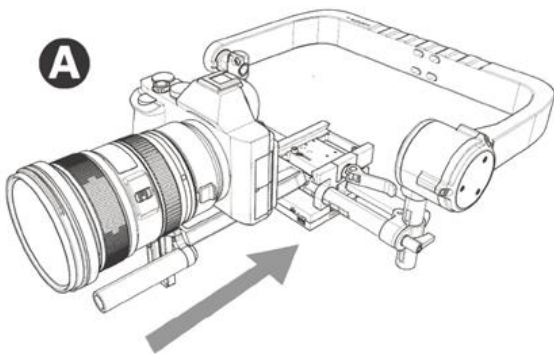
2

A**B****C**

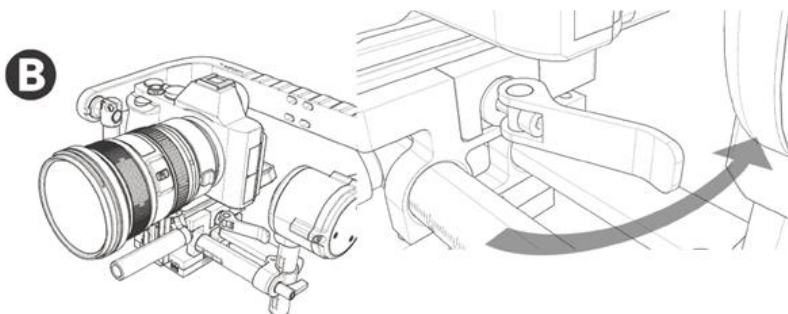
G
MOUNTING THE CAMERA



1 Attach the camera to the mounting plate and tighten the screw.

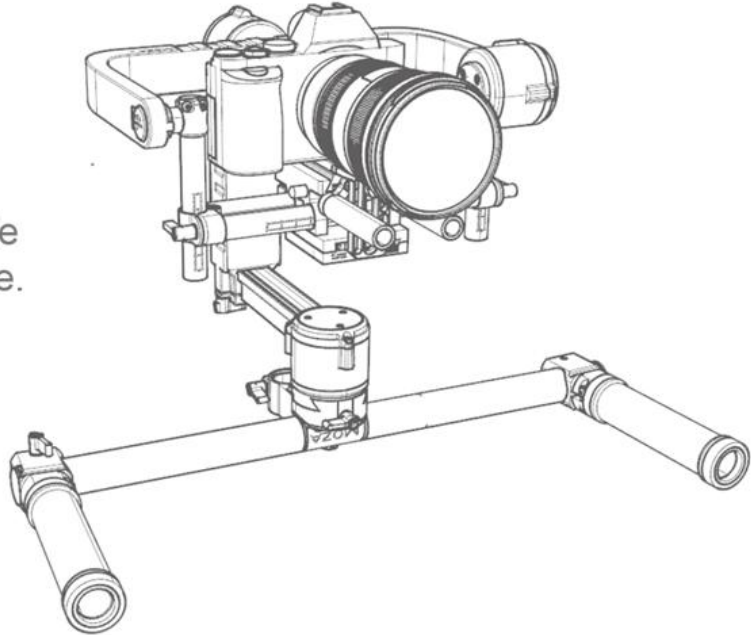


2 Insert the camera until the safety lock engages. Then tighten the side clamp.



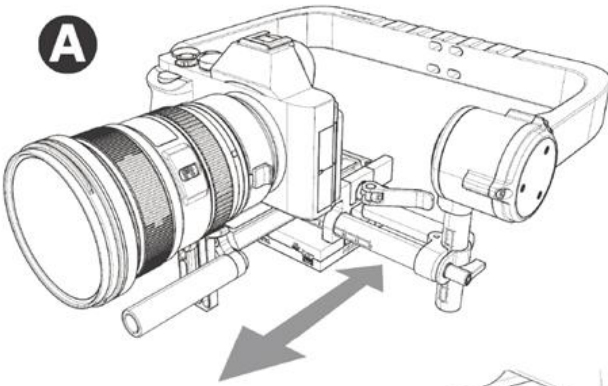
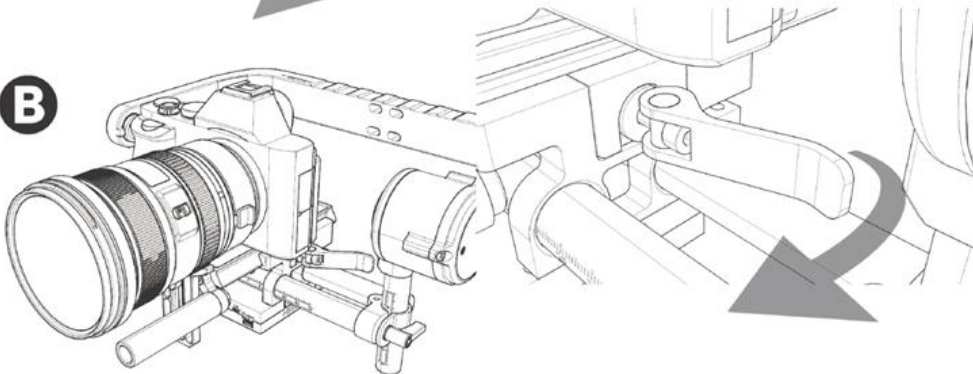
**BALANCING**

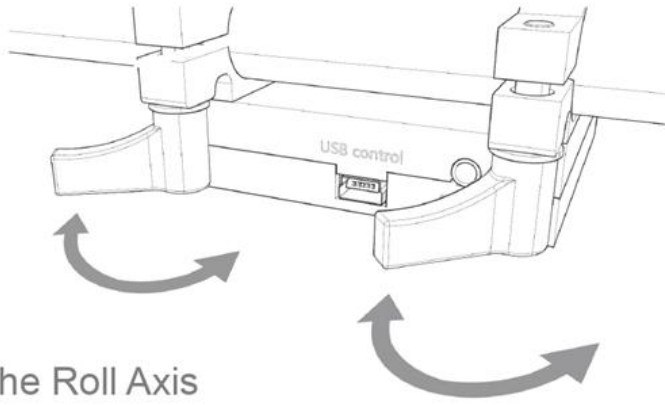
1 Place the gimbal upside down on a level surface.



2 Balancing the Tilt Axis

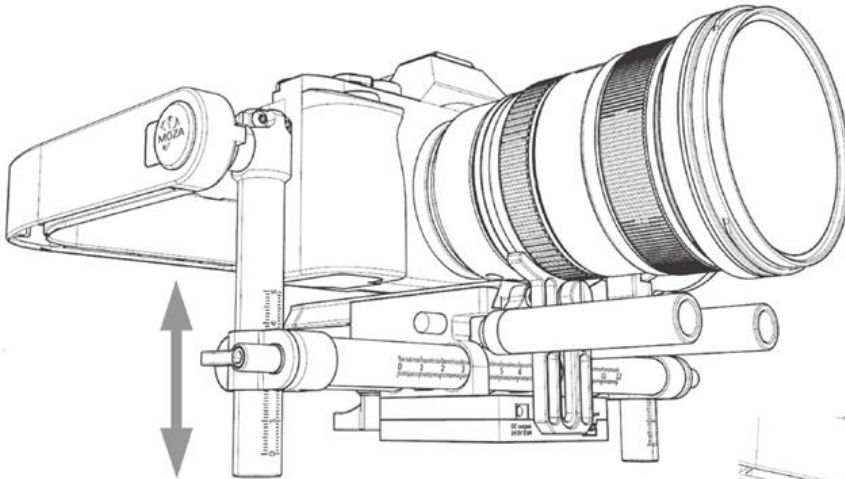
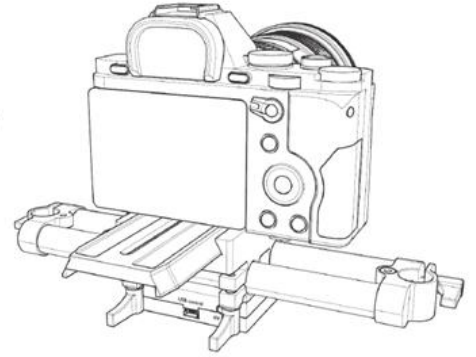
Loosen the side clamp to slide the camera forwards or backwards until the tilt axis remains level, and then tighten the side clamp.

A**B**



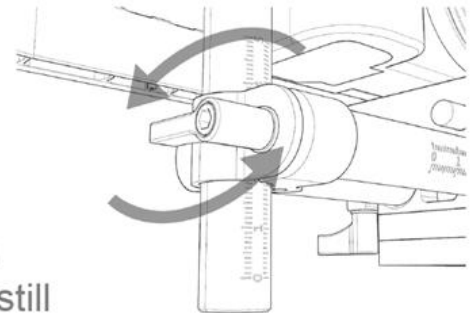
3 Balancing the Roll Axis

Loosen the two lock-knobs to slide the camera left or right until the roll axis remains level, and then tighten the two lock-knobs.



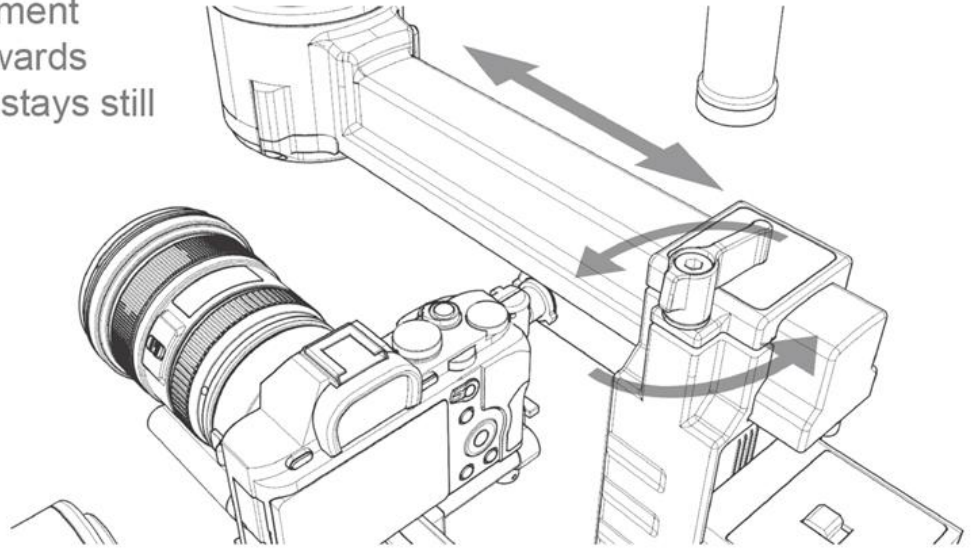
4 Balancing the Vertical Tilt

Loosen the two lock-knobs to slide the camera upwards or downwards until the camera stays still when released, and then tighten the two lock-knobs.



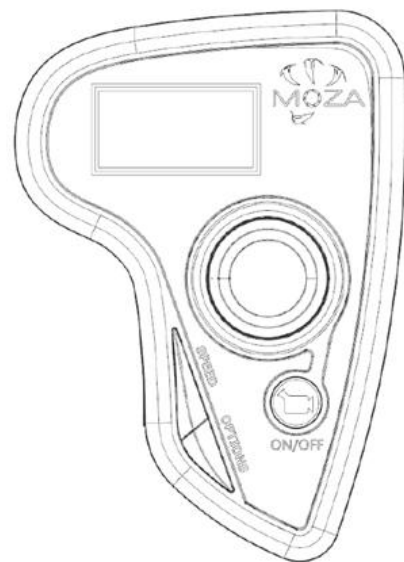
5 Balancing the Pan Axis

Loosen the lock-knob to slide the compartment forwards or backwards until the pan axis stays still when released

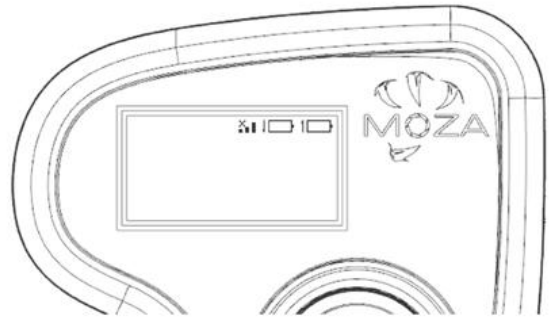
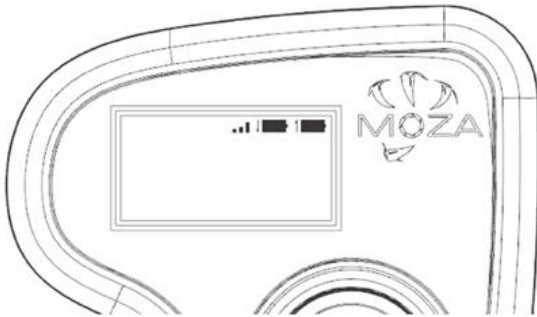


CONNECTING THE THUMB CONTROLLER TO MOZA LITE

- 1 Turn on the MOZA Lite2 by pressing the power button for 3 seconds.



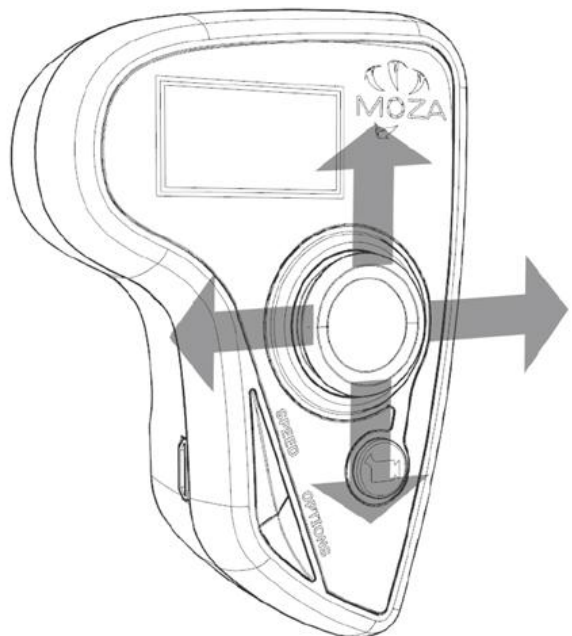
- 2 Turn on the thumb controller by pressing the power button for 3 seconds. Check the signal indicator on the up right corner of the OLED screen. If the thumb controller is connected, the signal indicator will show the signal strength.



THUMB CONTROLLER OPERATION

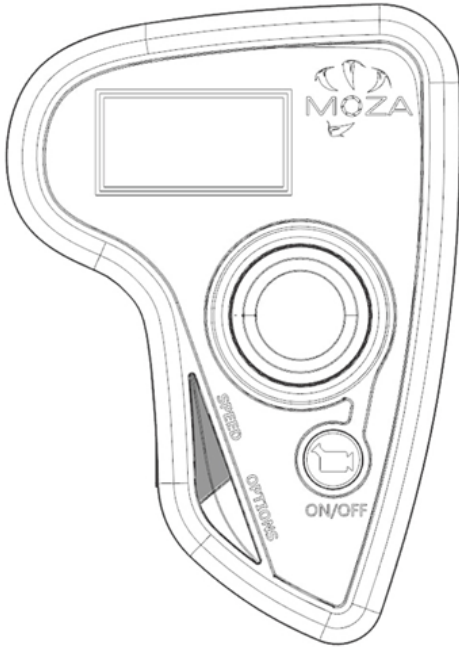
1 Joystick

Horizontal movements control the pan axis.
Vertical movements control the tilt axis.



2 Speed Button

Single press: Change speeds between Low/Medium/High.
 Long press: Change speed settings between gimbal movement speed and focus control speed.

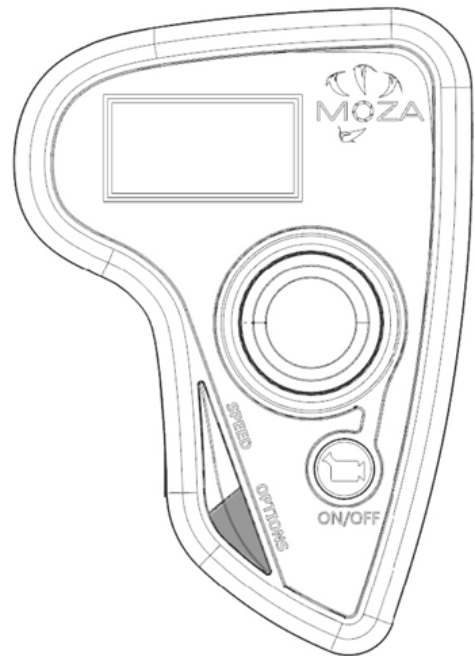


3 Options Button

Single press: Change follow modes between pan follow, tilt follow and all locked.
 Long press: Enter the menu.

4 Record Button

Single press: Start or stop recording.
 Long press: Power on/off





- 1 Assemble the gimbal
- 2 Mount the camera
- 3 Connect USB control cable from the camera to distribution unit.
(For MOZA Lite2 Premium/Professional)
- 4 Balance the gimbal.
- 5 Power on the gimbal and the thumb controller.
- 6 Long press the “options” button to enter the menu.
- 7 Select “Camera” in the thumb controller to set your camera and lens.
- 8 You are ready to shoot.



GUDSEN
www.gudsen.com